

high flow rate
compact design
low weight
pressure balanced
bidirectional flow
maintenance-free
high durability

FMX® valves are characterized by high flow rate with compact design and low weight. The externally controlled 2/2-way valve can be controlled via a 3/2-way pilot valve as well as a valve cluster. The pneumatic cylinder has three “T” grooves that can be used to add on accessories such as mounting brackets and limit switches. The FMX® valve series offers a manifold option as well; The inlet A-port on the 2/2-way valve is designed to be quickly and easily installed into the manifold strip.



technical data

2/2-way valve

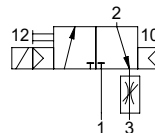
externally controlled

type	FMX-2	FMX-3	FMX-4	FMX-5
orifice mm	10	15	20	25
port connection threads	G 3/8 G 1/2	G 1/2 G 3/4	G 3/4 G 1	G 1 G 1 1/4
Kv value m³/h	3,7 4,3	9,5 9,5	15,4 15,4	23,7 23,7
weight kg	0,6	1,2	1,7	2,4
flow direction	A ⇌ B B ⇌ A			
pressure range	0-16 bar 0-16 bar			
function	NC - normally closed		NO - normally open	
design	pressure balanced, with spring return			
body materials	1.4301 stainless steel (valve manifold aluminium)			
seal materials	FKM / PTFE			
vacuum leak rate	< 10 ⁻⁴ mbar•l•s ⁻¹			
media	gaseous - liquid			
media temperature	-20 to +120 °C (valve manifold -10 to +120 °C, consider seal materials)			
ambient temperature	-20 to +80 °C (valve manifold -10 to +80 °C)			
switching cycles 1/min	660	550	410	380
switching time opening ms	30	30	35	35
switching time closing ms	35	40	60	70
control	pneumatic actuation, 3/2 way pilot valve optional			
actuator connection	G 1/8			
actuation pressure	NC 3-8 bar NO 4-8 bar			
air consumption cm³/stroke	2	4	8	11

accessories

pilot valve

3/2-way pilot valve
flow rate 280 l/min
pressure range 2-10 bar G 1/8
temperature range -10 to +50 °C



coil / illuminated plug

Form B 24V DC - 4,8W | 110V AC - 8,4W | 230V AC - 7,9W
M12x1 Desina 24V DC - 4,8W
M12x1 VDMA 24V DC - 4,8W
protection IP65
energized duty rating 100%

mounting

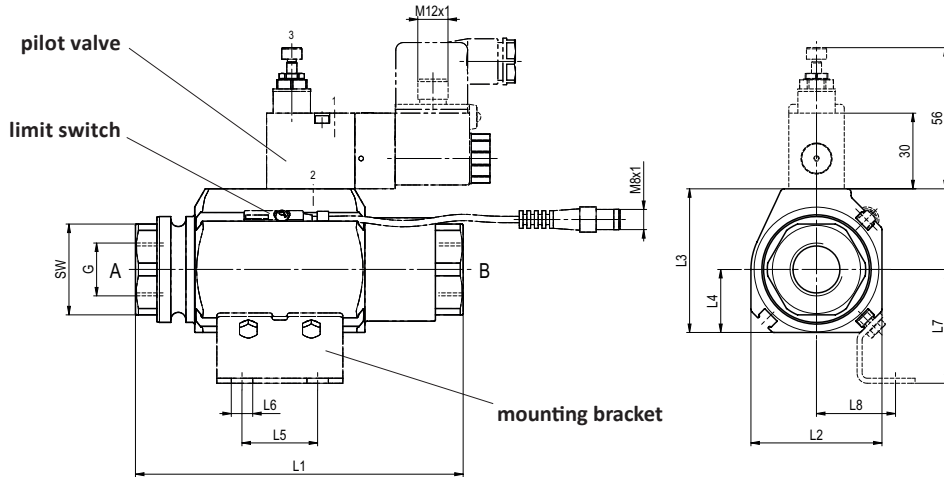
mounting brackets

limit switches

magnetic, lead cable 5 / 10 meters optional

dimensions

type	FMX-2	FMX-3	FMX-4	FMX-5
thread G	3/8 1/2	1/2 3/4	3/4 1	1 1 1/4
SW mm	27	36	41	50
L1 mm	110	130	150	160
L2 mm	42,5	52	60	66
L3 mm	48	57	64	71
L4 mm	20	25	28	33
L5 mm	25	30	30	30
L6 mm	6,5	8,5	8,5	8,5
L7 mm	33	45	47	51
L8 mm	24	31,5	33,5	37



valve manifold

type	FMX-2	FMX-3	FMX-4	FMX-5
slots	2 3 4 5	2 3 4 5	2 3 4 5	2 3 4 5
thread G	1	1 1/4	1 1/2	2
L9 mm	123 170 217 264	139 195 251 307	150 215 280 345	170 245 320 395
L10 mm	38	41,5	42,5	47,5
L11 mm	47	56	65	75
L12 mm	152	187	213	236
L13 mm	53	59,5	71	75,5
L14 mm	50	55	70	75
L15 mm	30	30	33	38
L16 mm	21	28	33	38
L17 mm	8	8	10	11
∅d	6,6 (M6)	6,6 (M6)	9 (M8)	11 (M10)

